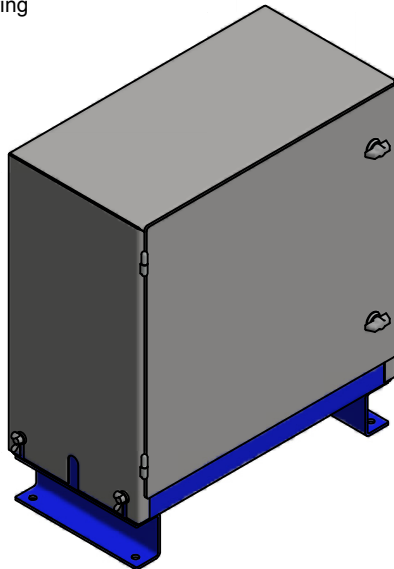


Inventor Drawing



FEATURE	CODE
Hydraulic power unit	HPT
Oil volume	04
Quayside	DBQS
Enclosure SS304	S4EN
Manifold	MB1V3
Motor - pump	075MPR3

Example for ordering

HPT04-DBQSS4EN-MB1V3-075MPR3

TECHNICAL DATA

Motor size (kW)	0.75
Oil volume (L)	4
Maximum pressure (MPa)	15.8
Nominal flow 50/60 Hz (l/min)	2.7/3.3
Hydraulic fittings (oil supply) T1	-4 37° JIC
Mounting holes	4 x Ø13
Mounting bolts	4 x M12
Weight w/o oil (kg)	70

NOMINAL SPECIFICATION

Die cast reservoir.

Stainless steel enclosure.

Gear pump and high-pressure outlet filter.

Circuit manifold having check-valve, relief valve, normally open solenoid valve with manual override, pressure gauge with isolation valve, flow control, motor cut-out pressure switch, accumulator with flow control valve.

Control voltage electrical junction box connection to be drilled to suit requirements by customer.

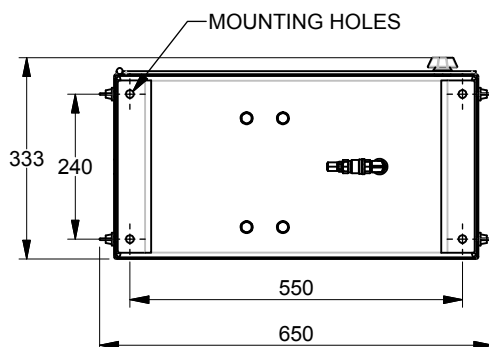
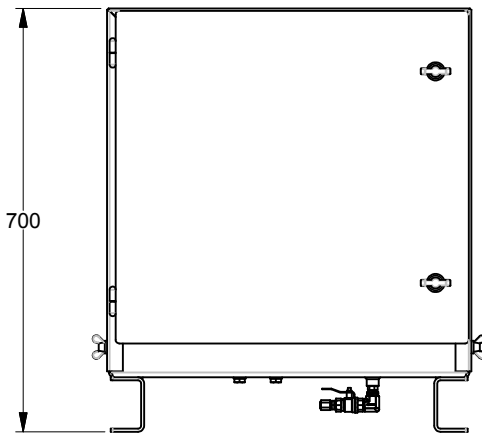
For electrical motor junction box connection see motor specification sheet for details.

NOTES

Hillmar power units can be customized to suit customer's special requirements

All figures are nominal figures only

All dimensions are in millimeters



Document Template #710-101-62058

** ALL TECHNICAL DATA IS SUBJECT TO CHANGE WITHOUT NOTICE **

Hillmar works have a fully registered ISO 9001-2008 quality assurance programme (QCB #01-1525)

C:\TEMP\74340d01-d00e-4f65-b1f1-b2238965ec71380000521760\HILLMAR\HILLMAR PRODUCTION\01 HYD PWR UNIT\0700-107001006 HPT-QS\SPC-SHT-HPT-QS\129-519-75782 HPT04-DBQSS4EN-MB1V3-075MPR3.idw